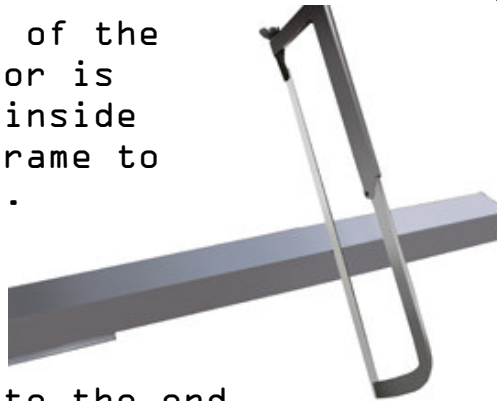


# PanicExitPro.com Series 560

**step 1**

Measure the width of the door while the door is closed; from the inside face of the door frame to the end of the door. Then subtract 2" from that measurement. This is the length the panic bar should be from the center of the pulling pin to the end of the hollow body. Adjust the size by cutting the hollow body.



**step 2**

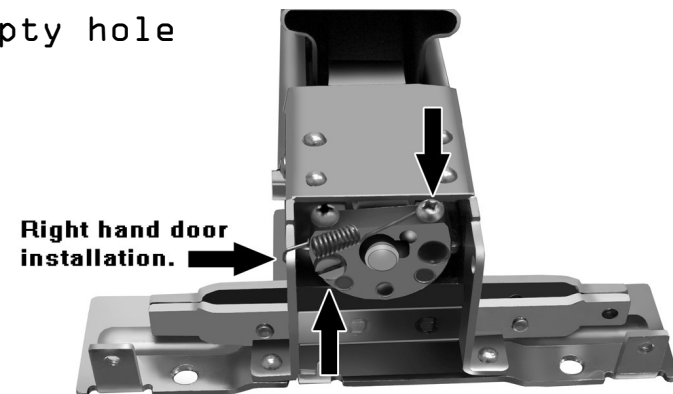
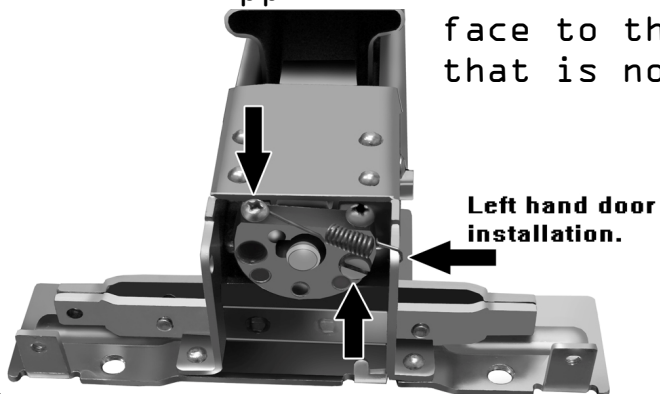
With the door in the closed position, measure up the door from the floor or threshold 42". This is the centerline of the panic bar. Measure 3 locations on the door and draw a center line with a pencil using a level.

**step 3**

Check if spring is attached to the screw on the side of the bar that will be on top. If the spring is already set correctly continue to Step 3. If the spring must be switched continue to part B.

## PART B

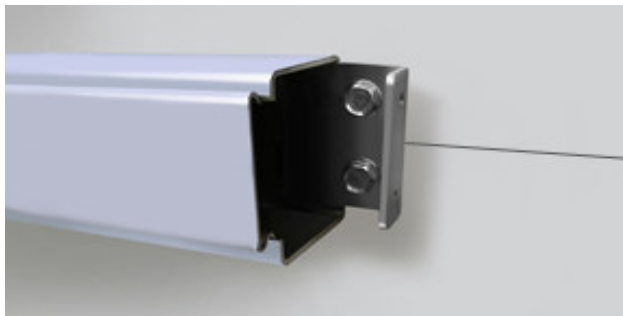
Loosen the two screws shown. Switch the end of the spring to the opposite screw. Tighten screws down and hook the other end of the spring to the hole on the opposite side it was previously on. Then move the screw on the face to the opposite empty hole that is now the top.



step

4

If your panic exit has a protective film, remove it now. Line your panic exit bar on top of the previously drawn center line. The bar should be positioned horizontally on the door so the center of the pulling pin is  $2\ 3/8$ " from the end of the door. Attach the panic exit using proper self tapping screws.



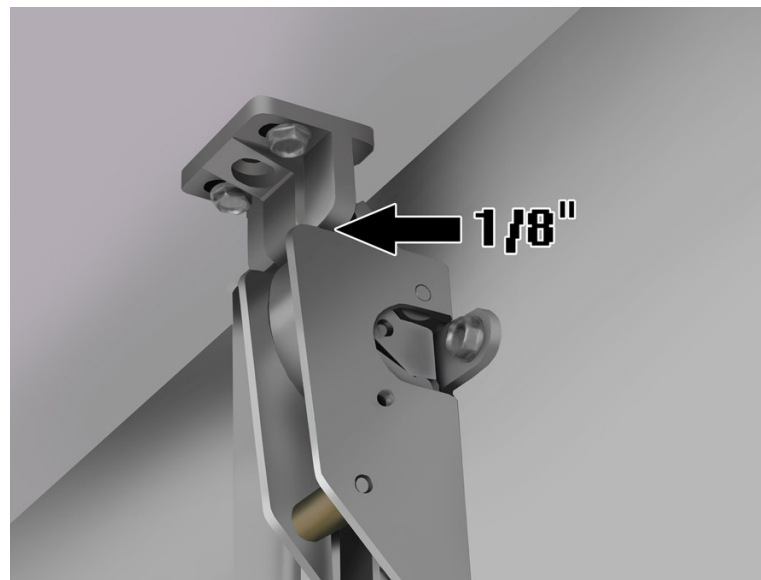
step

5

Mark  $2\ 3/8$  from the edge of the door inward horizontally on the door near the top and bottom for proper alignment of the latches.

On the frame above the door install the door stop so the center of the stop is center line with the vertical mark from previous step.

Mount top latch centerline at the top of the door so there is  $1/8$ " space between the bottom of the door stop and top of the top latch.



step

6

Hold the bottom latch centerline against the bottom of the door and mark where the bottom pin meets the floor or threshold. Drill a hole in the floor or threshold and mount the floor keeper centered on this hole.

Mount the bottom latch on the door centerline and  $\frac{1}{4}$ " up from the floor or threshold.

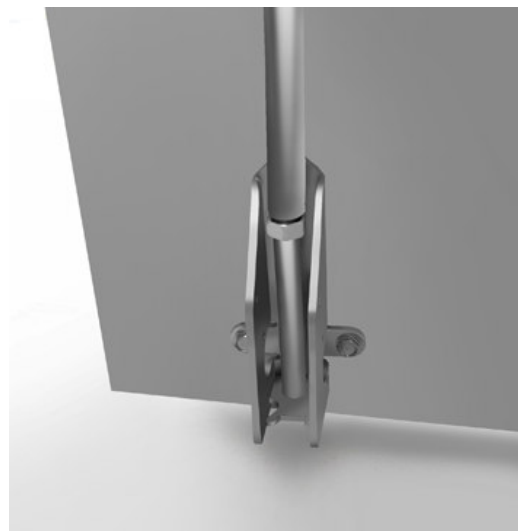


step

7

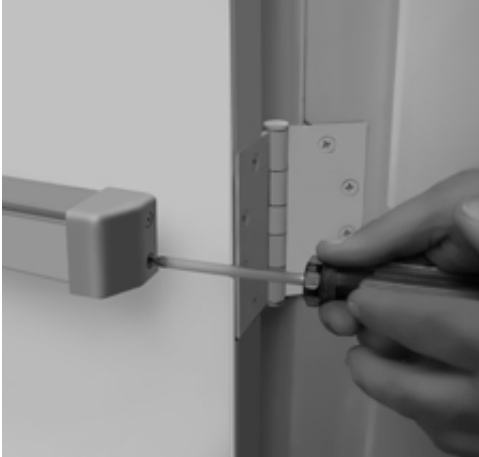


Install the top and bottom rods with the clevis pins and screw ends.





Install the covers for the end of the panic bar and top and bottom latches.



## Finished Example



### QUESTIONS?

Call 1-800-537-4283  
7 Days a week  
9AM-9PM EST

---

For any accessories  
or other products  
please visit  
[www.panicexitpro.com](http://www.panicexitpro.com)